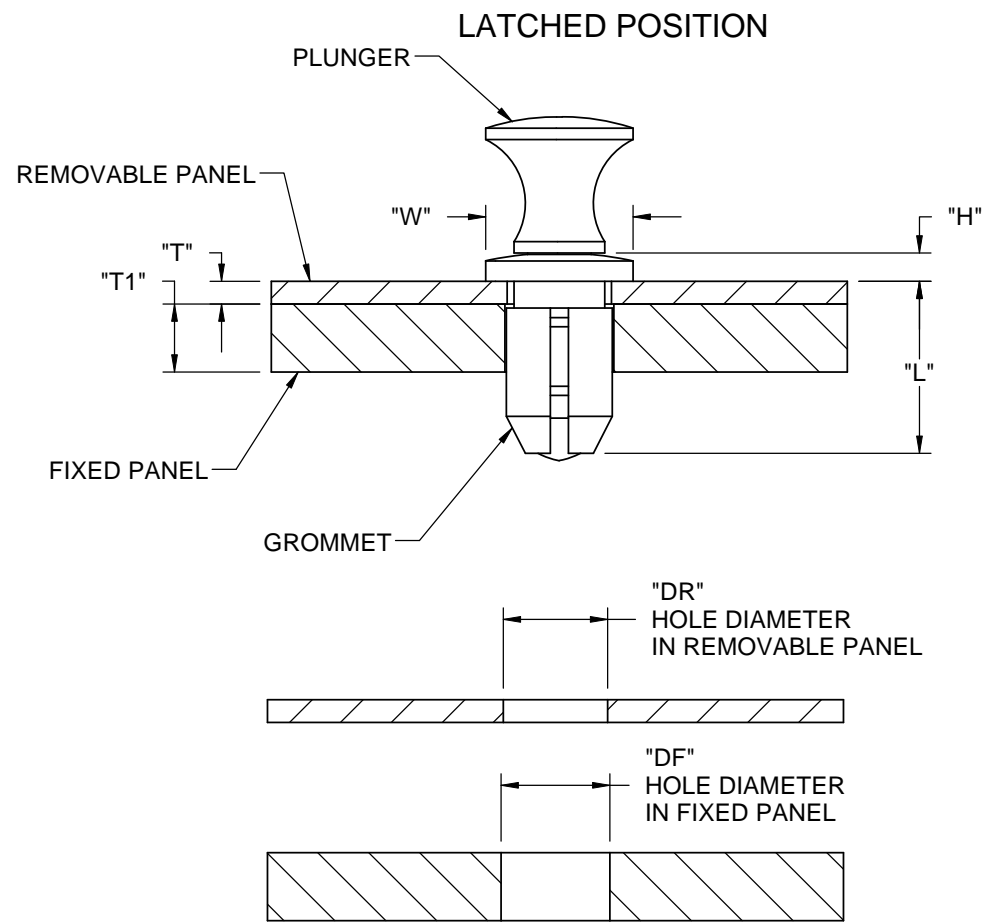
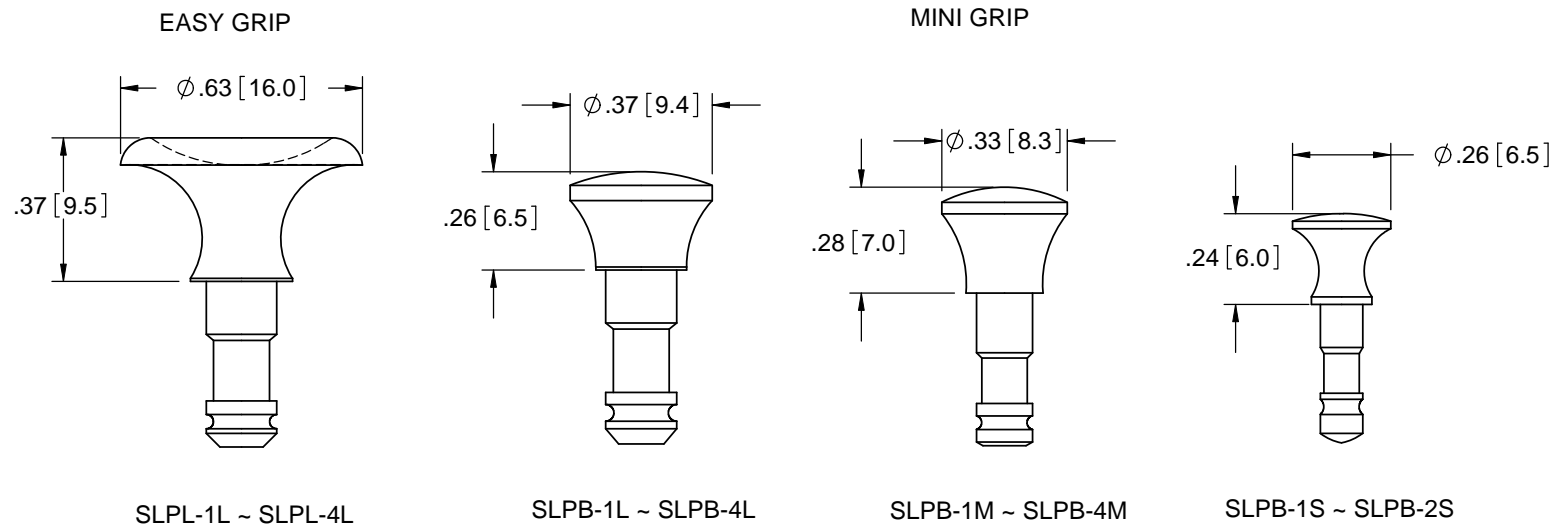


GROMMET NO.	GROMMET DASH NO.	"W"±.012 [0.3]	"H"±.008 [0.2]	"L" REF	"T" MAX	"T1" MAX	"DR" REMOVABLE PANEL HOLE DIA. RANGE	"DF" FIXED PANEL HOLE DIA. RANGE	MATING PLUNGER	ALTERNATE MATING PLUNGER NO.	PLUNGER DASH NO.	
SLG	SL	.425 [10.8]	.079 [2]		.339 [8.6]	.043 [1.1]	.059-.145 [1.5-3.7]	.295-.303 [7.5-7.7]	.315-.323 [8-8.2]	SLPL	SLPB	1L
	1L				.354 [9]	.063 [1.6]	.079-.165 [2-4.2]					2L
	2L				.394 [10]	.098 [2.5]	.118-.205 [3-5.2]					3L
	3L				.461 [11.7]	.161 [4.1]	.181-.272 [4.6-6.9]					4L
	4L				.508 [12.9]	.209 [5.3]	.228-.315 [5.8-8]					
	1M	.335 [8.5]	.071 [1.8]		.315 [8]	.043 [1.1]	.059-.146 [1.5-3.7]	.234-.240 [5.95-6.1]	.250-.256 [6.35-6.5]	SLPB	----	1M
	2M				.335 [8.5]	.063 [1.6]	.079-.165 [2-4.2]					2M
	3M				.374 [9.5]	.098 [2.5]	.118-.272 [3-5.2]					3M
	4M				.433 [11]	.161 [4.1]	.181-.272 [4.6-6.9]					4M
	1S	.256 [6.5]	.047 [1.2]		.299 [7.6]	.039 [1]	.079-.158 [2-4]	.177-.181 [4.5-4.6]	.185-.189 [4.7-4.8]			1S
2S	.319 [8.1]				.059 [1.5]	.098-.177 [2.5-4.5]	2S					



PLUNGER STYLES



SLPL-1L ~ SLPL-4L

SLPB-1L ~ SLPB-4L

SLPB-1M ~ SLPB-4M

SLPB-1S ~ SLPB-2S

- NOTES:
 1. PLUNGER MATERIAL: NYLON 6, (RMS-120).
 2. GROMMET MATERIAL: POLYCARBONATE, (RMS-72).
 3. COLOR: BLACK OR WHITE; ADD SUFFIX "-B" OR "-W" TO PART NO.

REV.	DESCRIPTION	ENGR.	DATE
J	SEE CO 200187 FOR CHANGES	S.K.	05/21/08
I	SEE ECN #1157 FOR CHANGES	SJ	4/25/06
H	SEE ECN #944 FOR CHANGES	SK	02/22/05
-	SEE ENG. FOR REVISIONS A-G	-	---

TITLE: SNAP LATCH				DWG IN IN [MM]		FINAL	
CREATED USING SOLIDWORKS	FILE #: SL	DWN: SK	APP: SK	PART #			
TOLERANCES UNLESS NOTED .XX±.01 .XXX±.005 FRAC.±1/64 ANG.±1°	SHEET: 1 OF 1 SHEET SIZE: B	DT: 02/22/05	CHKD: RDG	SEE TABLE		PRINT TYPE	
RE: RICHCO, INC.	RICHCO, INC. ENG@RICHCO-INC.COM (773) 539-4060				CA		